

**Modular Cooking Range Line  
 thermaline 85 - 1000 mm Ref-freezer  
 Base with 2 drawers, 1 Side, H=550  
 (R290)**

ITEM # \_\_\_\_\_

MODEL # \_\_\_\_\_

NAME # \_\_\_\_\_

SIS # \_\_\_\_\_

AIA # \_\_\_\_\_


**588718 (MB6HDAJOB0)**

 Ref-Freezer Base with 2  
 drawers, one side operated  
 - R290

### Short Form Specification

**Item No.** \_\_\_\_\_

Refrigerated base with 2 drawers, able to operate both as refrigerator or freezer, with temperature range from -22°C to +8°C. Constructed according to 1.4301 (AISI 304) with anti-tilt runners accepting GN 1/1 containers. CFC and HCFC free, highly ecological refrigerant type: R290 (ecological gas in foam: cyclopentane). Hydrocarbon refrigerant gas R290 for the lowest environmental impact (GWP=3), to reduce green house and ozone depletion effects. Flat surface construction, easily cleanable. Large digital white-digit soft touch display. Handles ergonomically designed with embedded hygienic silicon "soft" grip enable easier handling and cleaning. Connectivity ready.  
 IPX3 water resistance certification.  
 Configuration: One-side operated freestanding base.

### Main Features

- Two Drawer Refrigerated/Freezer Base with built-in compressor unit.
- Unit able to operate both as refrigerator or as freezer, with temperature range from -22°C to +8°C.
- Suitable for use in ambient temperatures of up to 40 °C.
- Designed for modular installation into the cooking block.
- All major components may be easily accessed from the front.
- Each drawer to accommodate one GN 1/1 container max 150 mm high.
- Magnetic snap-in drawer gaskets are removable for cleaning.
- Forced air circulation for rapid cooling and an even temperature distribution.
- Unit may be installed on castors.
- Unit constructed according to DIN 18860\_2 with 70 mm recessed plinth.
- Perforated top surface and bottom plate for a better air circulation.
- Handles are ergonomically designed with silicon "soft" grip for easy handling and cleaning.

### Construction

- Large digital white-digit display with soft touch buttons.
- Constructed in Stainless steel with Scotch Brite finish to meet the highest hygiene standards.
- Built-in compressor to suit operating conditions.
- IPX3 protected.

### Sustainability

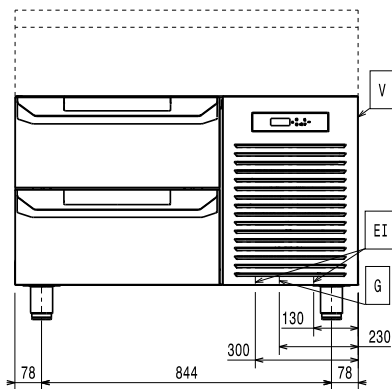
- CFC and HCFC free, highly ecological refrigerant type: R290 (ecological gas in foam: cyclopentane). Hydrocarbon refrigerant gas R290 for the lowest environmental impact (GWP=3), to reduce green house and ozone depletion effects.

### Optional Accessories

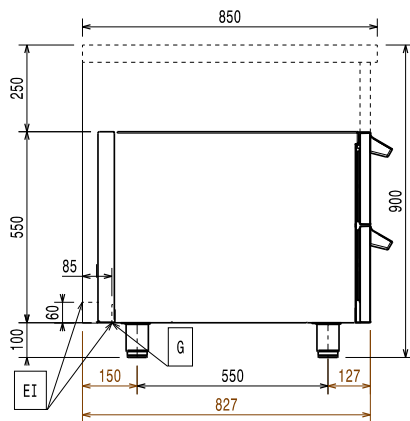
- Ethernet connector for IR33 PNC 881299 □ (CAREL) Refrigerated Cabinets and Counters

**APPROVAL:** \_\_\_\_\_

Front

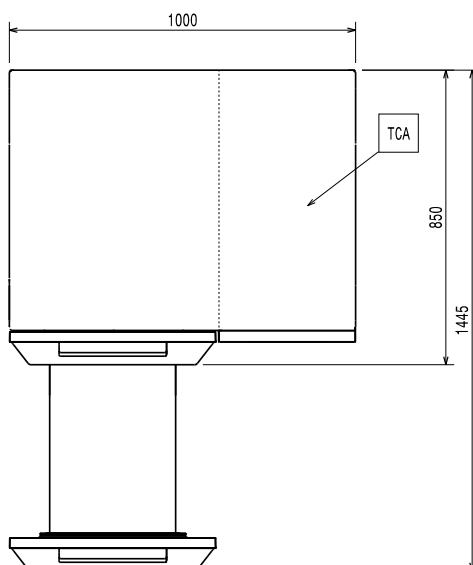


Side



EI = Electrical inlet (power)

Top


**Electric**

Supply voltage:	220-240 V/1N ph/50 Hz
Electrical power, max:	0.48 kW
Total Watts:	0.48 kW

**Key Information:**

External dimensions, Width:	1000 mm
External dimensions, Depth:	850 mm
External dimensions, Height:	550 mm
Net weight:	80 kg
N° of drawers:	2
Gross capacity:	

**Refrigeration Data**

Operating temperature min.:	8 °C
Operating temperature max.:	-22 °C
Compressor power:	
Defrost type:	Electric

**Sustainability**

Current consumption:	3.6 Amps
Refrigerant type:	R290
Refrigeration power:	0 W
Refrigerant weight (unit 1):	85 g